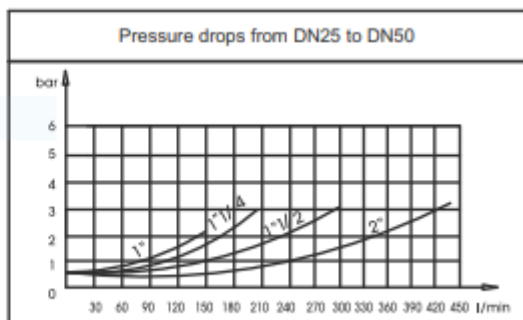
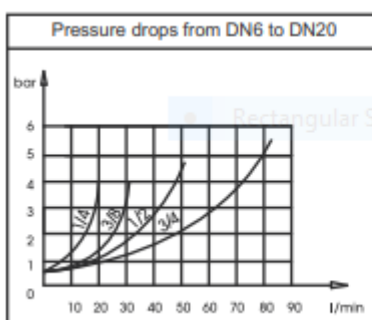
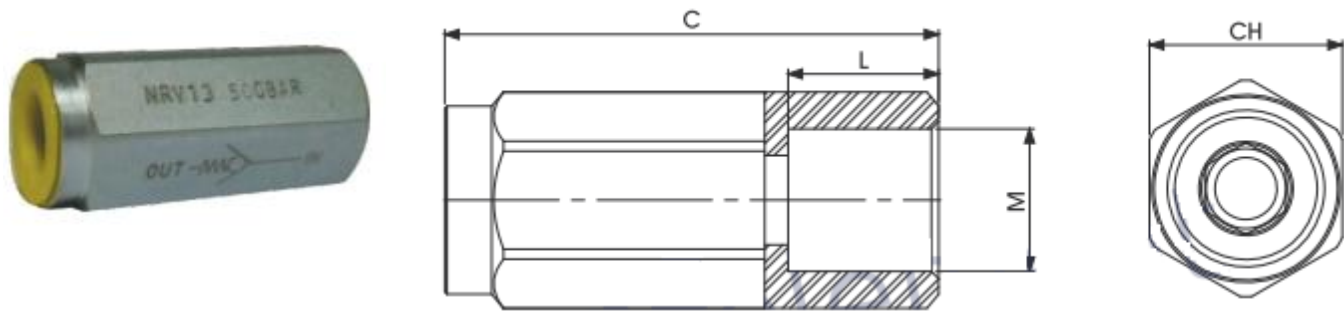


# TUFIT CHECK VALVE / NON RETURN VALVE

## DIN ISO 228 BSP



| M (inch) | PN (bar) | DN | Max Flow L/m | Cracking Pressure(bar) | C   | L  | Tufit Part no. | CH | KG   |
|----------|----------|----|--------------|------------------------|-----|----|----------------|----|------|
| G1/4     | 400      | 6  | 15           | 0.5                    | 54  | 15 | NRVG014        | 19 | 0,1  |
| G3/8     | 400      | 10 | 30           | 0.5                    | 64  | 15 | NRVG038        | 24 | 0,18 |
| G1/2     | 400      | 13 | 50           | 0.5                    | 74  | 17 | NRVG012        | 27 | 0,23 |
| G3/4     | 400      | 20 | 90           | 0.5                    | 85  | 21 | NRVG034        | 35 | 0,45 |
| G1       | 400      | 25 | 150          | 0.5                    | 109 | 24 | NRVG001        | 41 | 0,73 |
| G1 ¼     | 350      | 32 | 200          | 0.5                    | 122 | 24 | NRVG114        | 55 | 1,49 |
| G1 ½     | 350      | 40 | 300          | 0.5                    | 137 | 24 | NRVG112        | 60 | 2,   |
| G2       | 350      | 50 | 430          | 0.5                    | 159 | 27 | NRVG002        | 70 | 2,7  |

### Specifications

- Type: check valve CV
- Body: exagone
- Material: 1,0737/1,4749
- Ball seats: from 1/4 to 2"
- Operating pressure: PN500
- Temp. range: -10°C to +100°C depending on seal material selecte

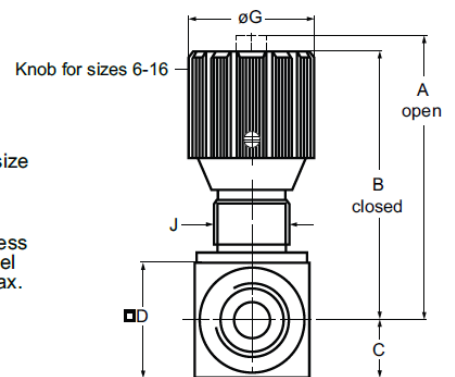
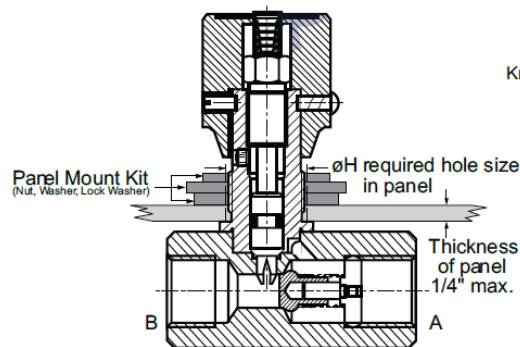
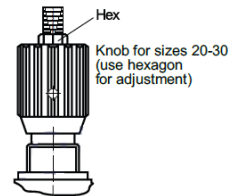
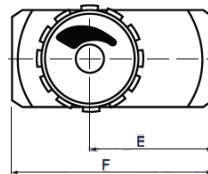
| Material     | Surface Protection  | Tufit Part No. Example |
|--------------|---|------------------------|
| Carbon Steel | Trivalent Cr(VI) - free<br>Zinc Plated Bright<br>Passivated | NRVG014                |
| AISI-304     | Natural Finish  | NRVG014S4              |
| AISI-316     | Natural Finish  | NRVG014S6              |

# TUFIT DOUBLE REGULATING VALVE- DRV

DIN ISO 228 BSP



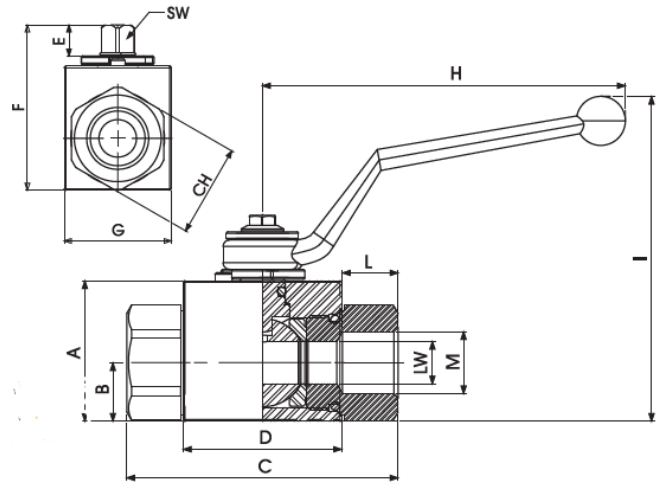
up to 350 bar  
up to 300 l/min



| Port Size | A   | B   | C  | D  | E    | F   | Ø G | Tufit Part no. | Ø H | Hex | Weight |
|-----------|-----|-----|----|----|------|-----|-----|----------------|-----|-----|--------|
| 1/8"      | 55  | 50  | 8  | 16 | 26   | 45  | 24  | DRVG018        | 13  | 12  | 0.13   |
| 1/4"      | 72  | 65  | 12 | 25 | 33.5 | 55  | 29  | DRV0G14        | 19  | 12  | 0.3    |
| 3/8"      | 74  | 67  | 15 | 30 | 41   | 65  | 29  | DRV0G38        | 19  | 12  | 0.45   |
| 1/2"      | 92  | 82  | 17 | 35 | 44   | 73  | 38  | DRVG012        | 23  | 12  | 0.8    |
| 3/4"      | 106 | 96  | 22 | 45 | 57   | 88  | 38  | DRVG034        | 23  | 12  | 1.3    |
| 1"        | 145 | 128 | 25 | 50 | 77   | 127 | 49  | DRVG001        | 38  | 19  | 2.4    |
| 1-1/4"    | 150 | 133 | 30 | 60 | 93   | 143 | 49  | DRVG114        | 38  | 19  | 3.5    |
| 1-1/2"    | 155 | 138 | 35 | 70 | 108  | 143 | 49  | DRVG112        | 38  | 19  | 4.6    |

| Material     | Surface Protection  | Tufit Part No. Example |
|--------------|---|------------------------|
| Carbon Steel | Trivalent Cr(VI) - free<br>Zinc Plated Bright<br>Passivated | DRVG018                |
| AISI-304     | Natural Finish  | DRVG018S4              |
| AISI-316     | Natural Finish  | DRVG018S6              |

**TUFIT HIGH PRESSURE BALL VALVE 2-WAY**  
**DIN ISO 228 BSP**



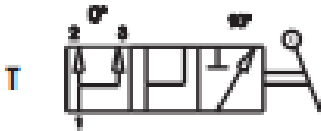
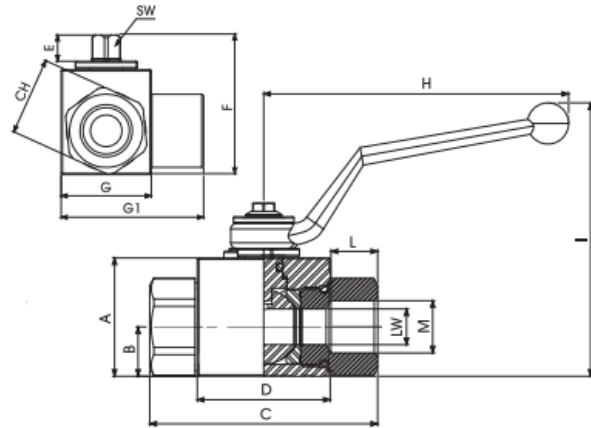
| M          | PN bar | DN  | A   | B  | C   | D   | E  | F         | G   | H   | I   | L    | Tufit Part no. | CH | SW | LW | Weight Kg |
|------------|--------|-----|-----|----|-----|-----|----|-----------|-----|-----|-----|------|----------------|----|----|----|-----------|
| G 1/8"     | 500    | 4   | 35  | 14 | 71  | 42  | 11 | 49        | 30  | 110 | 91  | 11   | BV2WG018       | 24 | 9  | 4  | 0,512     |
| G 1/4"     | 500    | 6   | 35  | 14 | 71  | 42  | 11 | 49        | 30  | 110 | 91  | 15,5 | BV2WG014       | 24 | 9  | 6  | 0,497     |
| G 3/8"     | 500    | 10  | 40  | 17 | 73  | 44  | 11 | 54,2<br>5 | 35  | 110 | 96  | 15,5 | BV2WG038       | 30 | 9  | 10 | 0,652     |
| G 1/2"     | 500    | 13  | 43  | 18 | 83  | 48  | 11 | 57        | 37  | 110 | 99  | 17   | BV2WG012       | 32 | 9  | 13 | 0,77      |
| G 3/4"     | 450    | 20  | 55  | 23 | 95  | 62  | 14 | 73,5      | 45  | 180 | 106 | 21   | BV2WG034       | 41 | 14 | 20 | 1,46      |
| G 1"       | 350    | 25  | 65  | 29 | 112 | 66  | 14 | 83,5      | 55  | 180 | 116 | 24   | BV2WG001       | 50 | 14 | 25 | 2,23      |
| G 1" 1/4R  | 350    | 25  | 65  | 29 | 120 | 66  | 14 | 83,5      | 55  | 180 | 116 | 24   | BV2WG114       | 55 | 14 | 25 | 2,299     |
| G 1" 1/2 R | 350    | 25  | 65  | 29 | 124 | 66  | 14 | 83,5      | 55  | 180 | 116 | 24   | BV2WG112       | 60 | 14 | 25 | 2,413     |
| G 1" 1/4   | 350    | 85  | 85  | 37 | 110 | 83  | 17 | 103       | 75  | 305 | 145 | 13   | BV2WG114       | 65 | 17 | 32 | 4,140     |
| G 1" 1/2   | 350    | 96  | 95  | 42 | 130 | 91  | 17 | 114       | 85  | 305 | 155 | 19   | BV2WG112       | 70 | 17 | 38 | 5,54      |
| G 2"       | 350    | 112 | 113 | 52 | 140 | 100 | 17 | 131       | 110 | 305 | 173 | 19   | BV2WG002       | 85 | 17 | 50 | 8,580     |

**Specifications**

- Type: ball valve 2way
- Body: block
- Material : 1,0737
- Ball seats: from DN4 up to DN25
- O-Rings: NBR, FKM, EPDM, MVQ
- Operating pressure: 500 Bar depending on valve size and seal materials selected
- Temp. range: -10°C to +100°C depending on seal material selected

| Material     | Surface Protection  | Tufit Part No. Example |
|--------------|---|------------------------|
| Carbon Steel | Trivalent Cr(VI) - free<br>Zinc Plated Bright<br>Passivated | BV2WG018               |
| AISI-304     | Natural Finish  | BV2WG018S4             |
| AISI-316     | Natural Finish  | BV2WG018S6             |

**TUFIT HIGH PRESSURE BALL VALVE 3WAY T PORT**  
**DIN ISO 228 BSP**



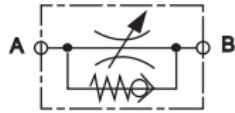
| M        | PN bar | DN | A  | B  | C   | D  | E  | F  | G  | G1 | H   | I   | L    | Tufit Part no. | CH | SW | LW | Weight Kg |
|----------|--------|----|----|----|-----|----|----|----|----|----|-----|-----|------|----------------|----|----|----|-----------|
| G 1/8"   | 400    | 4  | 35 | 14 | 71  | 42 | 11 | 49 | 30 | 48 | 110 | 91  | 11   | BV3WTG018      | 24 | 9  | 4  | 0.558     |
| G 1/4"   | 400    | 6  | 35 | 14 | 71  | 42 | 11 | 49 | 30 | 48 | 110 | 91  | 15.5 | BV3WTG014      | 24 | 9  | 6  | 0.536     |
| G 3/8"   | 400    | 10 | 40 | 17 | 73  | 44 | 11 | 54 | 35 | 54 | 110 | 96  | 15.5 | BV3WTG038      | 30 | 9  | 10 | 0.695     |
| G 1/2"   | 350    | 13 | 43 | 18 | 83  | 48 | 11 | 57 | 37 | 58 | 110 | 99  | 17   | BV3WTG012      | 32 | 9  | 13 | 0,825     |
| G 3/4"   | 350    | 20 | 55 | 23 | 95  | 62 | 14 | 73 | 45 | 75 | 180 | 106 | 21   | BV3WTG034      | 41 | 14 | 20 | 1,583     |
| G 1"     | 350    | 25 | 65 | 29 | 112 | 66 | 14 | 83 | 55 | 87 | 180 | 116 | 24   | BV3WTG001      | 50 | 14 | 25 | 2,421     |
| G 1" 1/4 | 350    | 25 | 65 | 29 | 120 | 66 | 14 | 83 | 55 | 87 | 180 | 116 | 24   | BV3WTG114      | 55 | 14 | 25 | 2,601     |
| G 1" 1/2 | 350    | 25 | 65 | 29 | 124 | 66 | 14 | 83 | 55 | 87 | 180 | 116 | 24   | BV3WTG112      | 60 | 14 | 25 | 2,756     |

**Specifications**

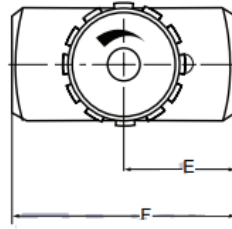
- Type: ball valve 3way
- Body: block
- Material : 1,0737
- Ball seats: from DN4 up to DN25
- O-Rings: NBR, FKM, EPDM, MVQ
- Operating pressure: 400 Bar depending
- Temp. range: 10°C to +100°C depending on valve size and seal materials selected on seal material selected

| Material     | Surface Protection  | Tufit Part No. Example |
|--------------|---|------------------------|
| Carbon Steel | Trivalent Cr(VI) - free<br>Zinc Plated Bright<br>Passivated | BV3WTG018              |
| AISI-304     | Natural Finish  | BV3WTG018S4            |
| AISI-316     | Natural Finish  | BV3WTG018S6            |

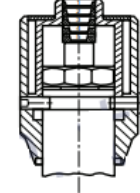
# TUFIT DIVERTER VALVE



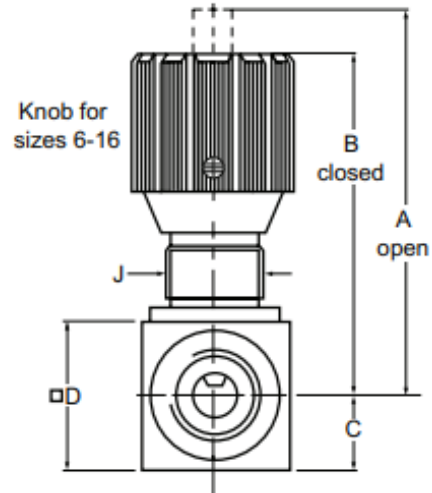
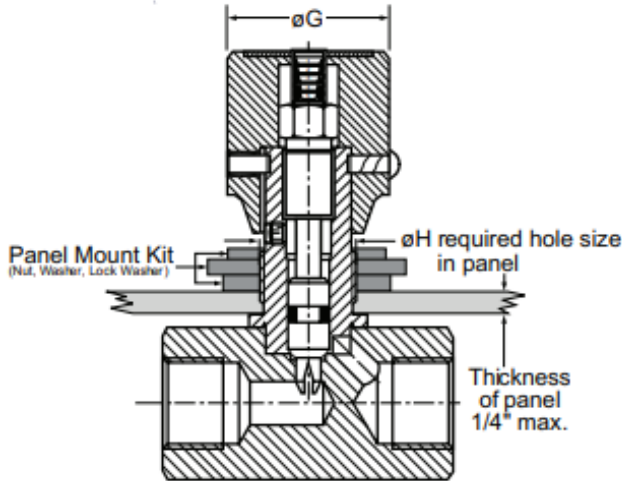
Up to 350 bar  
Up to 300 l/min



Hex extension



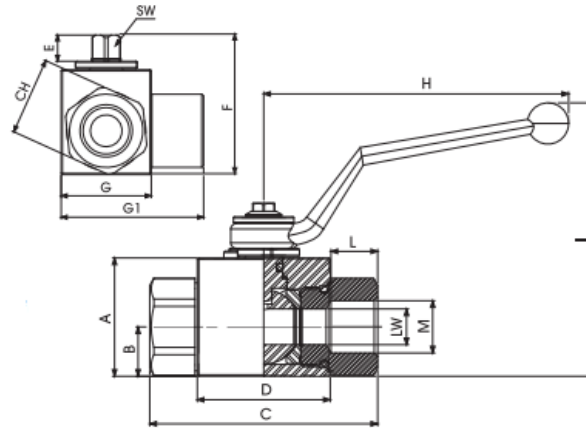
Knob for Sizes 20-40 has Hex extension for wrench



| Port Size | A   | B   | C  | D  | E  | F   | Ø G | Tufit Part no. | Ø H | Hex | Weight |
|-----------|-----|-----|----|----|----|-----|-----|----------------|-----|-----|--------|
| 1/8"      | 55  | 50  | 8  | 16 | 19 | 38  | 24  | DVG018         | 13  | 12  | 0.12   |
| 1/4"      | 72  | 65  | 12 | 25 | 24 | 48  | 29  | DVG014         | 19  | 12  | 0.25   |
| 3/8"      | 74  | 67  | 15 | 30 | 29 | 58  | 29  | DVG038         | 19  | 12  | 0.40   |
| 1/2"      | 92  | 82  | 17 | 35 | 34 | 68  | 38  | DVG012         | 23  | 12  | 0.70   |
| 3/4"      | 105 | 96  | 22 | 45 | 39 | 78  | 38  | DVG034         | 23  | 12  | 1.2    |
| 1"        | 145 | 128 | 25 | 50 | 54 | 108 | 49  | DVG001         | 38  | 19  | 2.1    |
| 1-1/4"    | 150 | 133 | 30 | 60 | 54 | 108 | 49  | DVG114         | 38  | 19  | 2.8    |
| 1-1/2"    | 155 | 138 | 35 | 70 | 54 | 108 | 49  | DVG112         | 38  | 19  | 3.5    |

| Material     | Surface Protection                                    | Tufit Part No. Example |
|--------------|---|------------------------|
| Carbon Steel | Trivalent Cr(VI) - free Zinc Plated Bright Passivated | DVG018                 |
| AISI-304     | Natural Finish  | DVG018S4               |
| AISI-316     | Natural Finish  | DVG018S6               |

**TUFIT HIGH PRESSURE BALL VALVE 3WAY L PORT**  
**DIN ISO 228 BSP**



| M        | PN bar | DN | A  | B  | C   | D  | E  | F  | G  | G1 | H   | I   | L    | Tufit Part no. | CH | SW | LW | Weight Kg |
|----------|--------|----|----|----|-----|----|----|----|----|----|-----|-----|------|----------------|----|----|----|-----------|
| G 1/8"   | 400    | 4  | 35 | 14 | 71  | 42 | 11 | 49 | 30 | 48 | 110 | 91  | 11   | BV3WLG018      | 24 | 9  | 4  | 0.558     |
| G 1/4"   | 400    | 6  | 35 | 14 | 71  | 42 | 11 | 49 | 30 | 48 | 110 | 91  | 15.5 | BV3WLG014      | 24 | 9  | 6  | 0.536     |
| G 3/8"   | 400    | 10 | 40 | 17 | 73  | 44 | 11 | 54 | 35 | 54 | 110 | 96  | 15.5 | BV3WLG038      | 30 | 9  | 10 | 0.695     |
| G 1/2"   | 350    | 13 | 43 | 18 | 83  | 48 | 11 | 57 | 37 | 58 | 110 | 99  | 17   | BV3WLG012      | 32 | 9  | 13 | 0,825     |
| G 3/4"   | 350    | 20 | 55 | 23 | 95  | 62 | 14 | 73 | 45 | 75 | 180 | 106 | 21   | BV3WLG034      | 41 | 14 | 20 | 1,583     |
| G 1"     | 350    | 25 | 65 | 29 | 112 | 66 | 14 | 83 | 55 | 87 | 180 | 116 | 24   | BV3WLG001      | 50 | 14 | 25 | 2,421     |
| G 1" 1/4 | 350    | 25 | 65 | 29 | 120 | 66 | 14 | 83 | 55 | 87 | 180 | 116 | 24   | BV3WLG114      | 55 | 14 | 25 | 2,601     |
| G 1" 1/2 | 350    | 25 | 65 | 29 | 124 | 66 | 14 | 83 | 55 | 87 | 180 | 116 | 24   | BV3WLG112      | 60 | 14 | 25 | 2,756     |

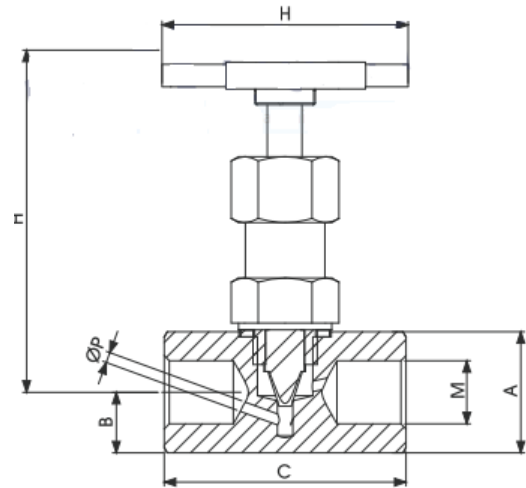
**Specifications**

- Type: ball valve 3way
- Body: block
- Material : 1,0737
- Ball seats: from DN4 up to DN25
- O-Rings: NBR, FKM, EPDM, MVQ
- Operating pressure: 400 Bar depending
- Temp. range: 10°C to +100°C depending on valve size and seal materials selected on seal material selected

| Material     | Surface Protection  | Tufit Part No. Example |
|--------------|---|------------------------|
| Carbon Steel | Trivalent Cr(VI) - free<br>Zinc Plated Bright<br>Passivated | BV3WLG018              |
| AISI-304     | Natural Finish  | BV3WLG018S4            |
| AISI-316     | Natural Finish  | BV3WLG018S6            |

# TUFIT NIDDLE VALVE -NV

## DIN ISO 228



| M    | PN (bar) | Din | A  | B    | C  | H  | I   | Tufit Part no. | Ø P | Weight KG |
|------|----------|-----|----|------|----|----|-----|----------------|-----|-----------|
| G1/4 | 500      | 6   | 28 | 17.5 | 55 | 65 | 100 | NVG014         | 8   | 0.55      |
| G3/8 | 500      | 10  | 30 | 17.5 | 60 | 65 | 100 | NVG038         | 8   | 0.55      |
| G1/2 | 500      | 13  | 32 | 20   | 65 | 65 | 115 | NVG012         | 9   | 0.99      |
| G3/4 | 500      | 20  | 38 | 25   | 75 | 65 | 145 | NVG034         | 11  | 1.30      |
| G1   | 500      | 25  | 45 | 30   | 85 | 75 | 150 | NVG001         | 15  | 1.80      |
| G114 | 500      | 32  | 50 | 35   | 90 | 75 | 160 | NVG114         | 19  | 2.20      |
| G112 | 500      | 40  | 55 | 40   | 90 | 75 | 170 | NVG112         | 22  | 2.20      |

### Specifications

- Type: needle valve
- Body: square
- Material: 1,0570/1,4301
- Ball seats: from DN6 up to DN40
- Operating pressure: S3000 (210 Bar) S6000 (350 Bar) depending on valve size and seal materials selected
- Temp. range: -20°C to +100°C depending on seal material selected

| Material     | Surface Protection  | Tufit Part No. Example |
|--------------|---|------------------------|
| Carbon Steel | Trivalent Cr(VI) - free<br>Zinc Plated Bright<br>Passivated | NVG014                 |
| AISI-304     | Natural Finish  | NVG014S4               |
| AISI-316     | Natural Finish  | NVG014S6               |